



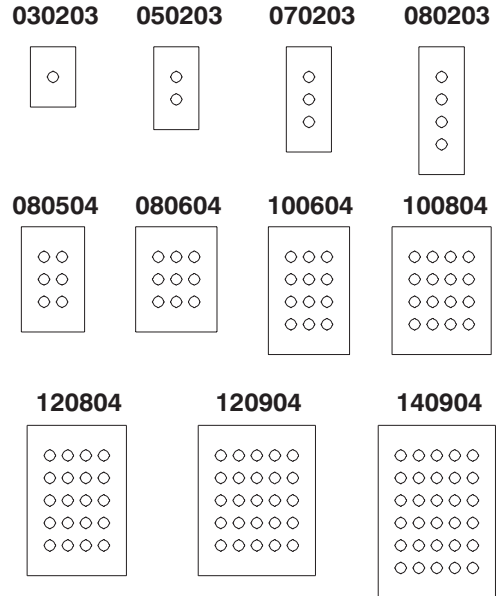
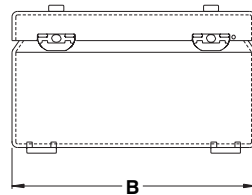
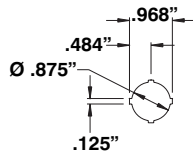
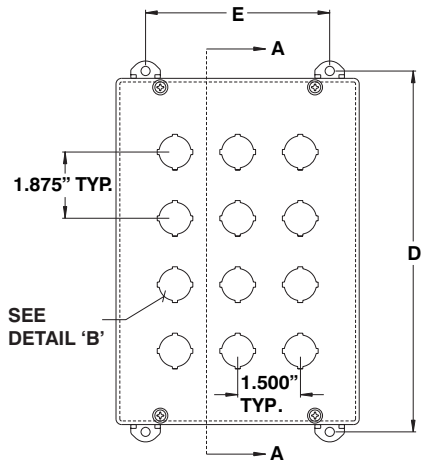
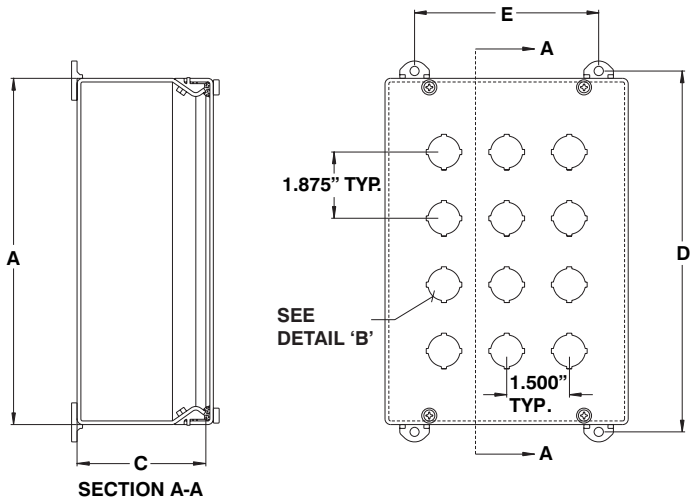
# PRODUCTS CATALOG

ELECTRICAL ENCLOSURES & MODULAR CABINETS



# 20

[exmweb.com](http://exmweb.com)



CATALOG NUMBER	QTY. HOLES	DIMENSIONS					SHIP WGHT LBS.
		A	B	C	D	E	
1412 MN030203	1	3.750	3.000	3.500	4.250	1.625	1
1412 MN050203	2	5.625	3.000	3.500	6.125	1.625	8
1412 MN070203	3	7.500	3.000	3.500	8.000	1.625	3
1412 MN080203	4	9.375	3.000	3.500	9.875	1.625	4
1412 MN080504	6	9.000	5.250	4.250	9.500	3.875	5
1412 MN080604	9	9.000	6.750	4.250	9.500	5.375	6
1412 MN100604	12	10.875	6.750	4.250	11.375	5.375	6
1412 MN100804	16	10.875	8.250	4.250	11.375	6.875	7
1412 MN120804	20	12.750	8.250	4.250	13.250	6.875	8
1412 MN120904	25	12.750	9.750	4.250	13.250	6.875	9
1412 MN140904	30	14.625	9.750	4.250	15.125	8.375	10

Notes :  
 - Enclosures are also available with welded mounting feet, add suffix 'MF' to the catalog number (i.e. 1412 MN070603MF).

